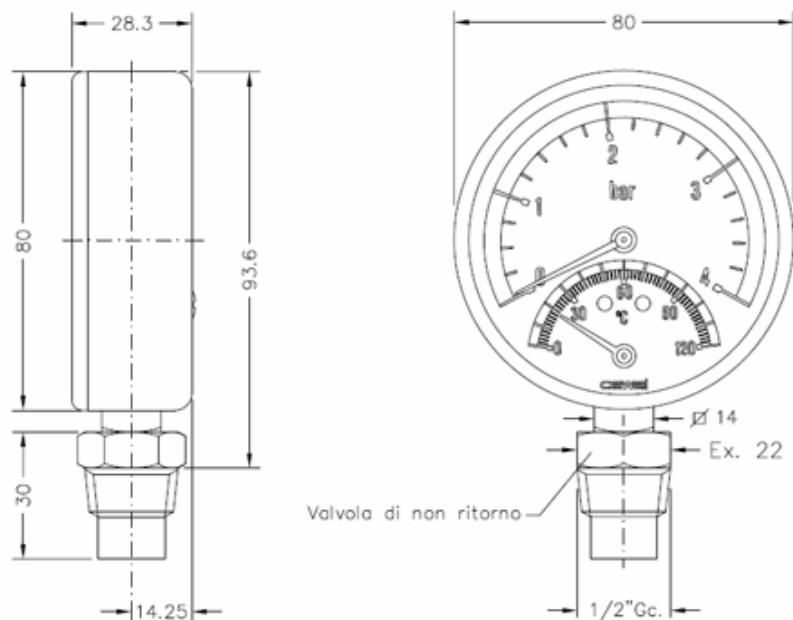


Термоманометър Sewal радиален ф 80 мм, 0-6 bar, 1/2", TRR
80 VI





Case: shatterproof ABS.

Fitting: brass.

Glass: shatterproof methacrylate ester, with or without red maximum reference mark.

Dial: printed on stove-enamelled aluminium. Special printing on request.

Scales: standard scales are: 0/120 °C for temperature; 0/2.5 - 0/4 - 0/6 - 0/10 bars for pression. Other scales on request.

Mechanism: manometer movement with bourdon type spring; thermometer movement with precision bimetallic spiral.

Valve sheath: brass, threaded 1/2". It is equipped with a valve which allows the water throught only when the temperature gauge is completely screwed onto the sheath.

Продукт: [Термоманометър Cewal радиален ф 80 мм, 0-6 bar, 1/2", TRR 80 VI](#)

Категория: [Механични измервателни инструменти](#)

Бранд: [Cewal](#)

Категория бранд: [Термоманометър Cewal](#)